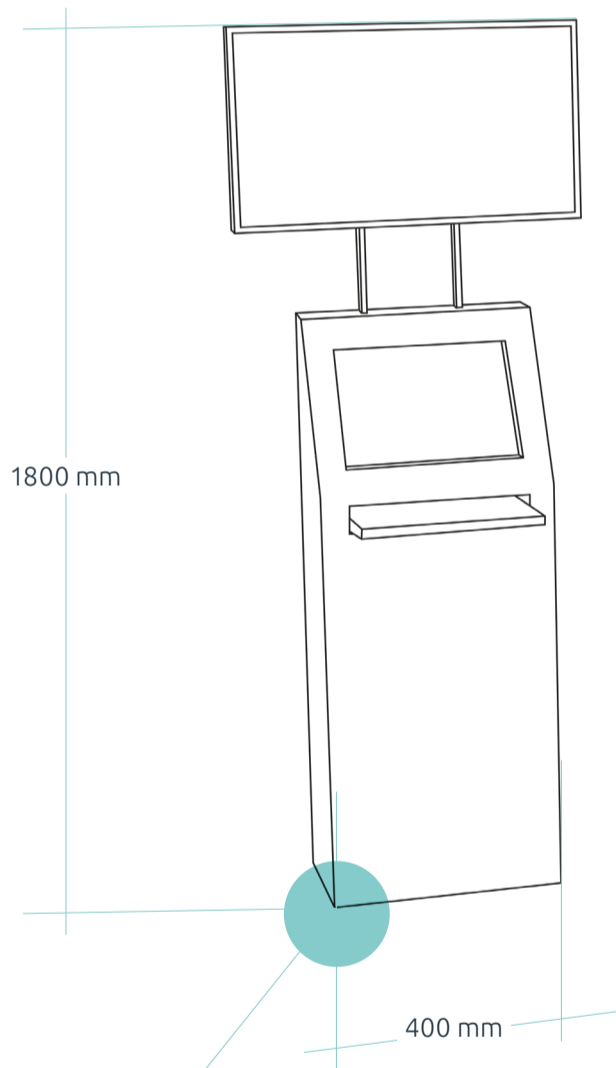




Technical file

Mobile platform

Integrates a state-of-the-art motion platform with 6 degrees-of-freedom, a multi-sensorial panel with heat and wind omission, a comfortable chair powered with a "butt-kicker" for vibrations and mount to hold the VR HMD. The Mobile Platform is programmed to run perfectly with the VR adventures providing a completely immersive experience without motion sickness.



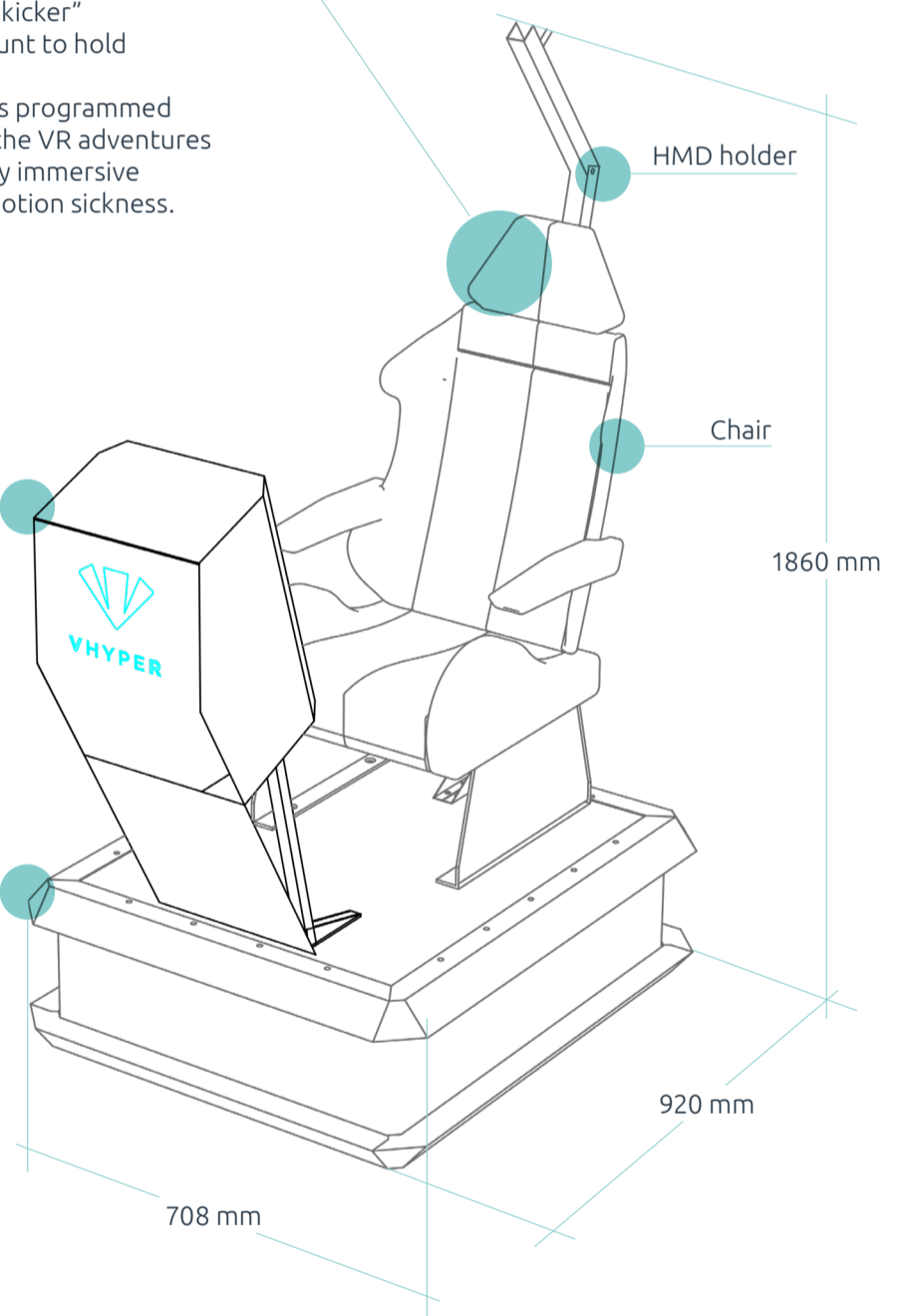
Tower

Hosts the VR PC with a simple user interface on the lower screen and a live rendering of the VR adventure at play on the upper screen.

Multisensorial panel

-  Infrared light
-  Wind fan

Motion platform with 6 Degree of Freedom



powered by

THE
VIRTUAL
LAB